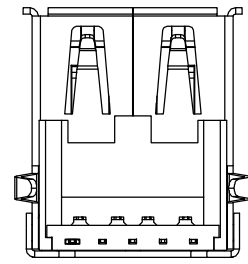
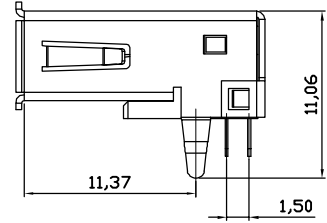
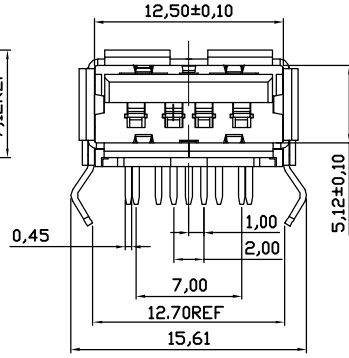
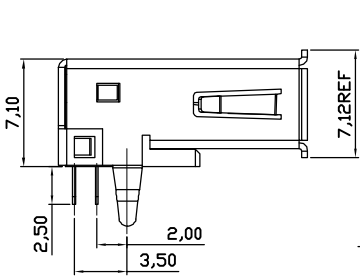
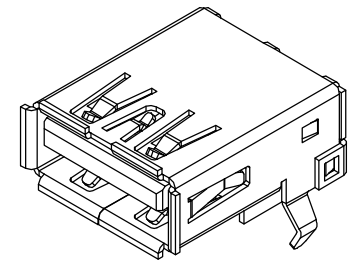
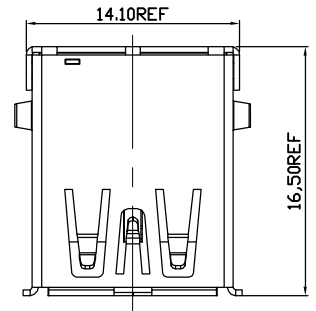


A
B
C
D
E

1 2 3 4 5 6 7 8

REV.	ECN. NO.	LOCATIONS	DESCRIPTION	DATE	DESIGN



NETS:

- 1. MECHANICAL;
 - MATING: 35N MAX
 - WITHDRAWAL: 10N MIN
 - DURABILITY: 1500 CYCLES MIN.
- 2. ELECTRICAL:
 - CURRENT: 100 mA MAX
 - VOLTAGE: 20mV MAX
 - WITHSTANDING VOLTAGE: 100V AC
 - CONTACT RESISTANCE: 30mΩ Max - 50mΩ
 - INSULATION RESISTANCE: 1000MΩ MIN
- 3. ENVIRONMENTAL
 - TEMPERATURE RANGE: -55°C - +85°C
- 4. PRODUCT: MEET FOR ROHS STANDARD

US009AFXSX-001-01

- N: NY9T
- L: LCP
- P: PBT
- 1: 1.5u" FULL AU N180u" MIN
- 2: 3u" FULL AU N180u" MIN
- 3: 10u" FULL AU N180u" MIN
- 4: 15u" FULL AU N180u" MIN
- 5: 30u" FULL AU N180u" MIN

ITEM	PART NAME	Q'TY	MATERIAL
1	HOUSING	1	PBT+30%GF.BLUE
2	COVER	1	PBT+30%GF.BLUE
3	CONTACT1	5	C2680R-EH.GOLD.XU"
4	CONTACT2	4	C5191R-H.GOLD.Xu"
5	SHELL	1	C2680R-H.NI.80U" MIN

INTENDED USE	UNIT : mm	华捷科技有限公司
PART NO.	FINISH	
TOLERANCES	MAT'L	FILE NO. US009AFXSX-001-01 TITLE: USB3.0 AF DIP90* APPD: CHKD: DR: Gary.Lee
.X ± 0.35 .X * ± 3*		DWG NO.: REC. CONNECTOR
.XX ± 0.25 .XX ± 2*		REV. A
		SCALE 1;1 SHEET 1 OF 1